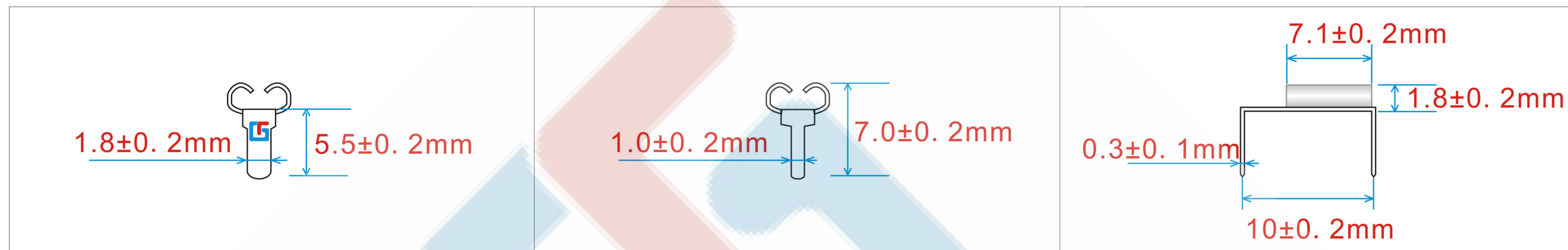


(GF-717C small car insert fuse clip (mini car insert fuse clip))

PCB Horizontal Installation Minicar Fuse Clip

1. Product Dimension Drawings



2. Product introduction

1. material: Contacts--brass, T=0.3mm;
2. terminal finish: Tin plated;
3. Material: Brass H65
4. Matching mini-car insert fuses (GFEFUSE® GF-C series insert mini-fuses)
5. Suitable rated current: 30A@500VAC.
6. Insertion and extraction force: 1Kg Min
7. Dielectric Strength: Min.AC1000V.
8. Contact Resistance: Max 50mΩ
9. temperature rise: 130° Max.
10. Insulation Resistance At 500V DC: 100mΩ
- 11.11. Welding temperature: 260 °C 3 seconds

The company has obtained the quality system certification of IATF:16949:2016 automobile industry.
The product has obtained UL CE CQC TUV REACH and many international certification.